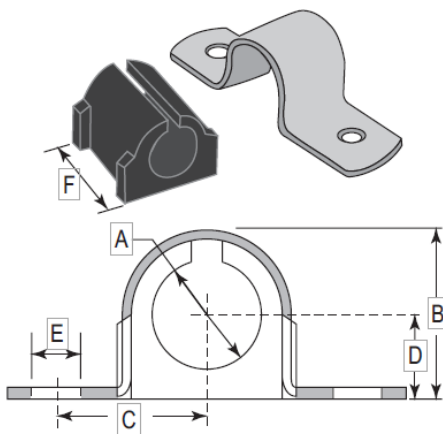




Specifications

Temperatures from -50°F to 275°F.

Gold Electro-Galvanized Steel



CB Part No.	Copper & Steel Tubing O.D.	Copper Water Pipe (Nom.)	Pipe Size (Nom.)	Dimensions (inches)						Hanging Design Load
				A	B	C	D	E	F	
398040000	1/4"	-	-	0.25	0.48	0.60	0.22	0.26	0.78	50
398040002	3/8"	1/4"	-	0.37	0.62	0.66	0.31	0.26	0.81	50
398040004	1/2"	3/8"	1/4"	0.50	0.81	0.83	0.40	0.26	0.98	50
398040005	5/8"	1/2"	3/8"	0.62	0.93	0.85	0.46	0.26	0.98	50
398040006	3/4"	5/8"	-	0.75	1.02	0.90	0.50	0.26	0.98	50
398040007	7/8"	3/4"	1/2"	0.87	1.12	1.03	0.53	0.26	0.98	50
398040010	1-1/8"	1"	-	1.12	1.40	1.17	0.70	0.26	0.98	50
398040012	1-3/8"	1-1/4"	-	1.37	1.71	1.28	0.83	0.26	1.56	50
398040015	1-5/8"	1-1/2"	-	1.62	1.98	1.43	0.96	0.26	1.56	200
398040017	1-7/8"		1-1/2"	1.87	2.25	1.64	1.09	0.34	1.56	400
398040020	2-1/8"		-	2.12	2.62	1.86	1.27	0.34	1.56	400
398040022	2-3/8"		2"	2.37	2.88	1.94	1.41	0.34	1.56	400
398040025	2-5/8"	2-1/2"	-	2.62	3.13	2.07	1.53	0.34	1.56	400
398040030	3-1/8"	3"	-	3.12	3.68	2.32	1.78	0.34	1.56	700
398040035	3-5/8"	3-1/2"	-	3.62	4.19	2.57	2.03	0.34	1.56	700
398040040	4-1/8"	4"	-	4.12	4.84	3.05	2.34	0.43	1.56	800